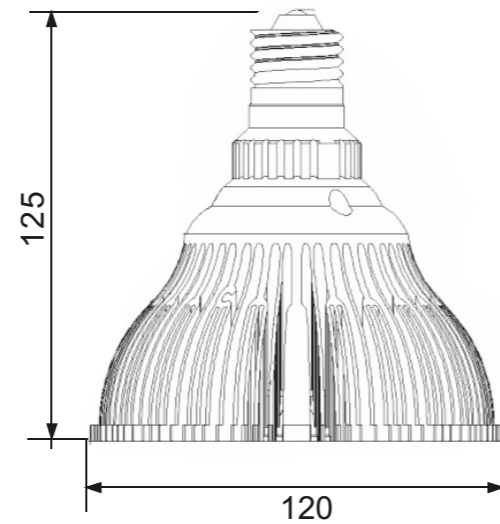


Product Pictures

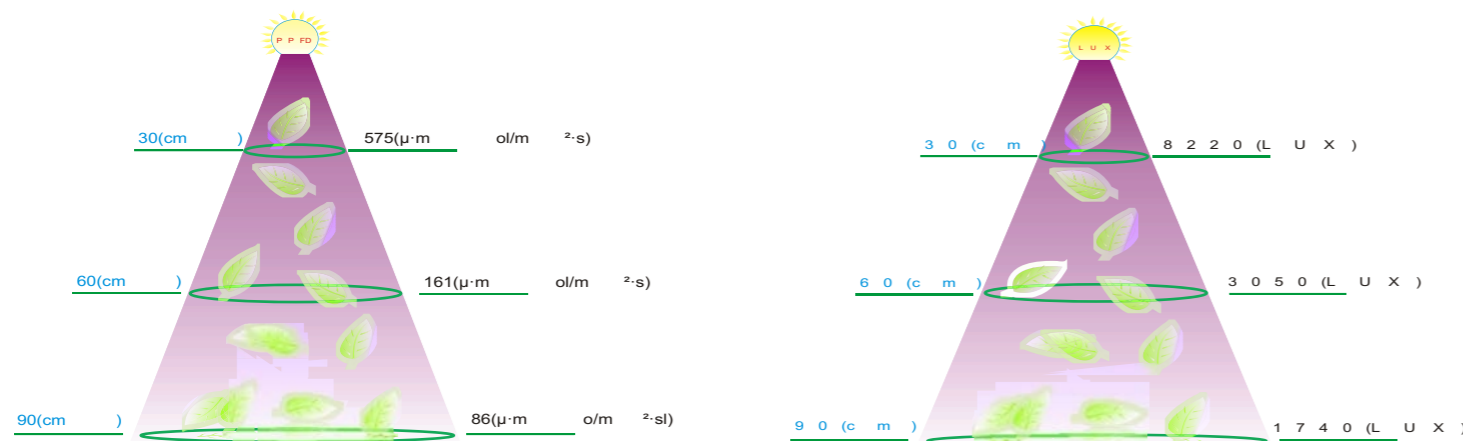
PAR38 18W LED Grow Light



Model No.:GR-PAR38-18WCL

Item	Value	Item	Value
Power Consumption	18W	Size	Φ 120x125mm
Voltage	AC85-265V	Input current	0.18A~0.075A
Work frequency	50/60Hz	Lighting Area	0.9m ²
Temperature	-10~40 °C	Lumen	720lm
Storage condition	0~40 °C	Life time	50,000hours
Lighting time per day	12-18 Hours	Packing Dimension	135 * 135 * 156mm
Beam angle	60°	N.W	510g
Wavelength Angle of leds	Red: Blue:White	G.W	605g

Values



Product Feature

- 1.Can replace a 2-3 times powerful HPS.
- 2.Made with 18pcs 1w leds, built-in constant current supply, more efficient and energy-saving.
- 3.Input voltage AC85-265V, applicative to all the countries.
- 4.Lamp body materials are aluminum profile, good heat dissipation performance to keep lamps in a good run.
- 5.Application for all stages, clone, growing and flowering.
- 6.Ratio can be customized. Red leds are good for blooming, and blue are good for budding and growing.
- 7.Environmentally friendly, with no harmful substance.
- 8.SPC technolgsuy to make sure super good performance on plants growth.

Warnings:

- 1.Indoor use only.
- 2.To avoid being damaged,do not use water or drip irrigation while using.
- 3.Sunshine lighting time should be 12-18 hours.
- 4.While irradiating the plants,the height above the plants should more than 10 inches, low height will cause the destruction of plants.
- 5.Highly hang the lamp will weaken the energy and affect the growth cycle of the plants, so the lamp should not be hung too high.
- 6.While taking care of the plants, please spray the leaves and branches 2-3 times everyday, to ensure the the plants do not wrinkle a wither, and have no phenomenon of few fruit, and hard pericarp.

