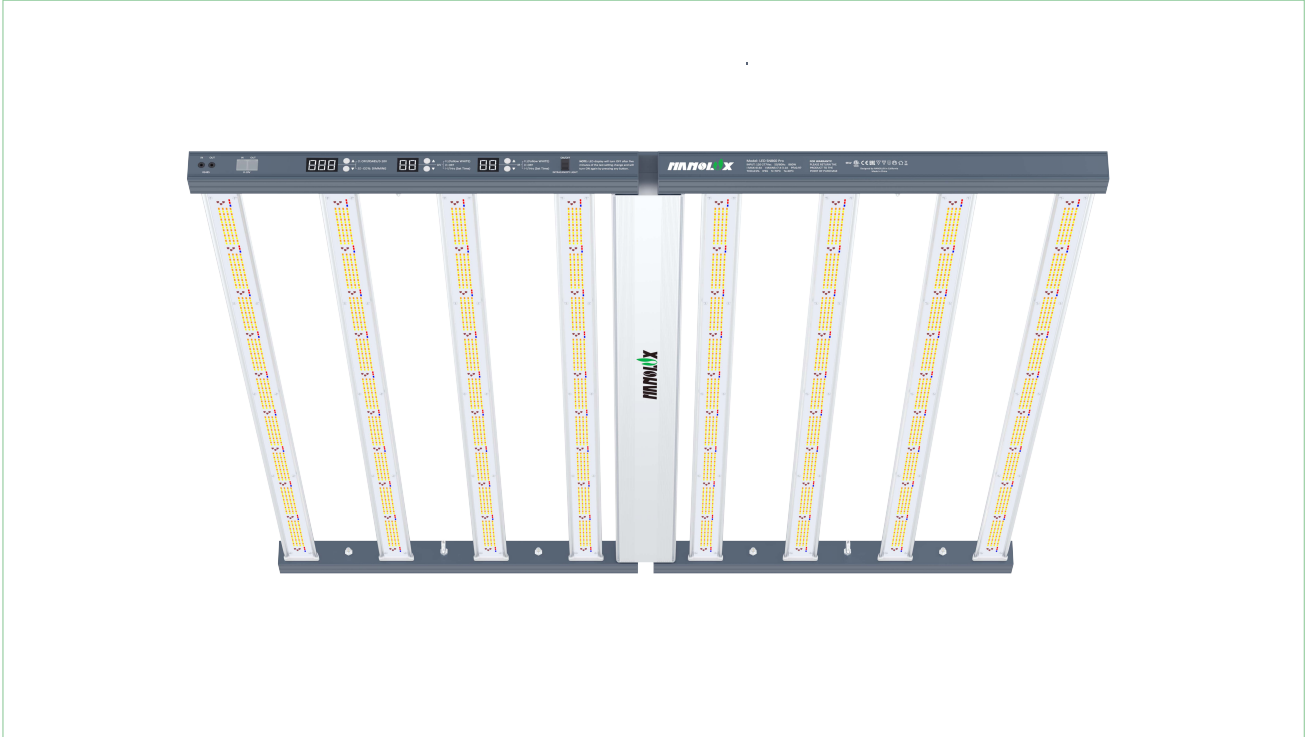
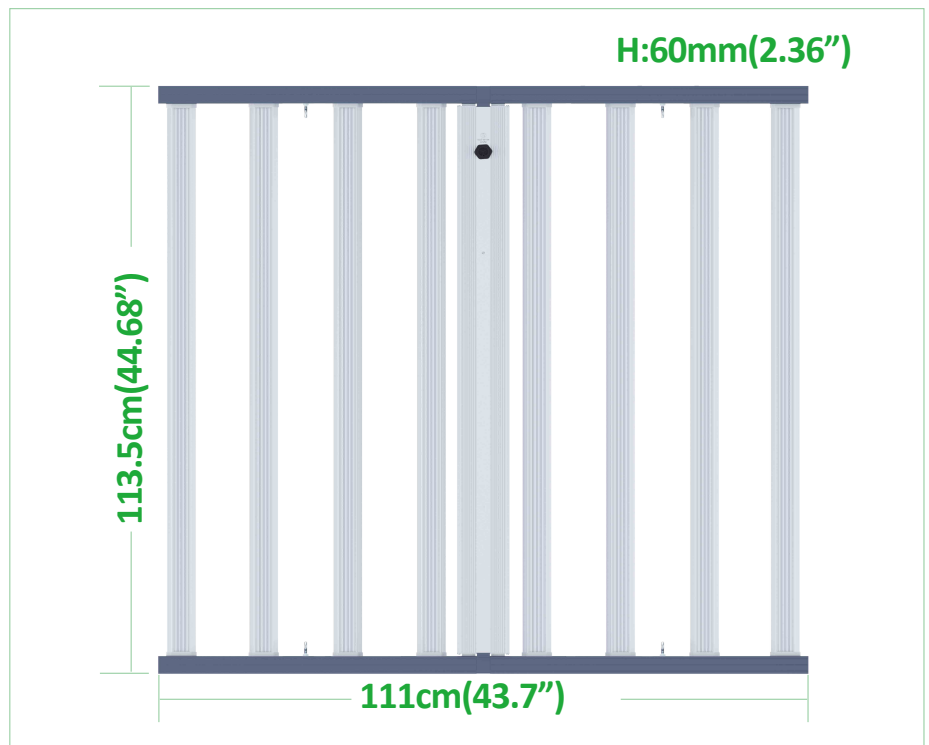


## LED SN860 Pro



- ✓ 8 spectrum combinations, flexible and free.
- ✓ 3 dimming control modes, easy to adjust.
- ✓ Create your own height and density.



## Specifications

Product model	LED SN860 Pro
Product code	80.01.0394
Input power	860 W
Dimming	0-10V, RS485
Input voltage	AC 120V-277V
Light output PPF	2500 $\mu\text{mol/s}$
Efficiency	2.90 $\mu\text{mol/J}$
Input frequency	50/60Hz
Light distribution	120°
Mounting height	8" - 24" (20-60cm) above canopy
Operating temperature	0°C~35°C
Operating humidity	0~95%
Power factor	$\geq 0.97$
Total harmonic distortion	$\leq 15\%$
Requirement of installment	Comply with ETL/CE/EAC/UKCA/FCC/DLC/ROHS certificate
Lifetime L90	> 50,000hrs
IP rating	IP65
Product dimensions	1135x1110x60mm
Product weight	10.2KG
Packing dimensions	1160x140x620mm
Gross weight	13.3KG
Loading quantity	20GP: 288 Cartons 40HQ: 684 Cartons

## AC Input\*

AC voltage	120V	208V	220V	240V	277V
AC current	7.40A	4.20A	3.90A	3.60A	3.10A
AC power	880W	865W	862W	860W	859W
Power factor	0.99	0.98	0.97	0.98	0.97

\* At 25°C (77°F) Ambient Temperature

## Spectrum Option

